

Product availability: Non-Stock - Not normally stocked in distribution facility



Main

| | |
|------------------------------|--|
| Range of Product | Modicon STB distributed I/O solution |
| Product or Component Type | Standard digital output kit |
| Kit composition | STBXBA1000 base STBXTS2100, 6-terminal spring clamp connector STBXTS1100, 6-terminal screw type connector STBDDO3230 module |
| Discrete output number | 2 |
| Discrete output type | Solid state |
| Discrete output voltage | 24 V |
| Discrete output voltage type | DC |

Complementary

| | |
|---|--|
| Discrete output current | 2000 mA |
| Discrete output logic | Positive or negative |
| Output voltage | 19.2...30 V DC |
| Absolute maximum voltage | 56 V 1.3 ms |
| Response Time | 520 μ s off-to-on 720 μ s on-to-off |
| Cold swapping | Yes |
| Hot swapping fallback | Yes for standard NIMs |
| Fallback status | State 0 basic NIMs User configurable standard NIMs |
| Protection type | Power protection 1 external fuse per output time lag 2.5 A Reverse polarity protection Short-circuit protection Thermal overload protection |
| Insulation between channels | 1500 V for 1 minute |
| Insulation between channels and logic bus | 1500 V for 1 minute |
| Maximum leakage current | 1 MA at state 0 30 V |
| Surge current | 10 A 0.5 ms |
| Maximum load capacitance | 50 MF |
| Maximum load inductance | 500 MH 4 Hz |
| Minimum load | 2 MA |

| | |
|---------------------------|---|
| Reset | Manual or automatic reset COM fault |
| Product Compatibility | Power distribution module STBPDT3100/3105 I/O base STBXBA1000 |
| [Us] rated supply voltage | 24 V DC |
| Supply | Power distribution module |
| Current consumption | 45 mA 5 V DC logic bus |
| Marking | CE |
| Overvoltage category | II |
| Status LED | Module status (RDY) 1 LED Green) Channel status (OUT1 to OUT2) 1 LED per channel Green) Module error (ERR) 1 LED Red) |
| Maximum Height | 0.55 In (13.9 mm) |
| Maximum Depth | 2.76 In (70 mm) |
| Maximum Width | 5.05 In (128.3 mm) |
| Net Weight | 0.26 Lb(US) (0.116 kg) |

Environment

| | |
|---------------------------------------|--|
| Standards | EN/IEC 61131-2 |
| Product Certifications | FM Class 1 Division 2 CSA UL |
| Pollution degree | 2 IEC 60664-1 |
| Operating altitude | <= 6561.68 ft (2000 m) |
| IP degree of protection | IP20 conforming to EN 61131-2 class 1 |
| Ambient air temperature for operation | 32...140 °F (0...60 °C) without derating) |
| Ambient air temperature for operation | 32...140 °F without derating |
| Ambient air temperature for storage | -40...185 °F (-40...85 °C) without derating |
| Ambient air temperature for storage | -40...185 °F without derating |
| Relative humidity | 95 % 140 °F (60 °C) without condensation |
| Vibration resistance | 3 gn 58...150 Hz 35 x 7.5 mm symmetrical DIN rail 5 gn 58...150 Hz 35 x 15 mm symmetrical DIN rail +/-0.35 mm 10...58 Hz |
| Shock resistance | 30 gn 11 ms IEC 88 reference 2-27 |

Ordering and shipping details

| | |
|-----------------------|--------------------------|
| Category | 18215 - ADVANTYS STB I/O |
| Discount Schedule | PC32 |
| GTIN | 03595863989304 |
| Nbr. of units in pkg. | 1 |
| Package weight(Lbs) | 4.80 Oz (136 g) |
| Returnability | No |
| Country of origin | ID |

Packing Units

| | |
|------------------------|------------------|
| Unit Type of Package 1 | PCE |
| Package 1 Height | 0.98 In (2.5 cm) |
| Package 1 width | 3.15 In (8 cm) |
| Package 1 Length | 5.12 In (13 cm) |

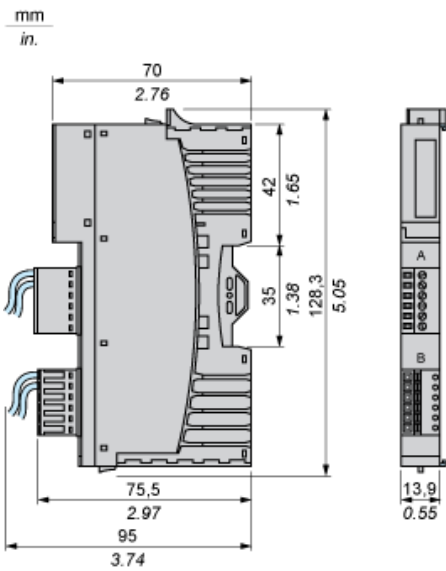
Offer Sustainability

| | |
|----------------------------|---|
| Sustainable offer status | Green Premium product |
| California proposition 65 | WARNING: This product can expose you to chemicals including: Lead and lead compounds, which is known to the State of California to cause cancer and birth defects or other reproductive harm. For more information go to www.P65Warnings.ca.gov |
| REACH Regulation | REACH Declaration |
| EU RoHS Directive | Pro-active compliance (Product out of EU RoHS legal scope) EU RoHS Declaration |
| Mercury free | Yes |
| RoHS exemption information | Yes |
| China RoHS Regulation | China RoHS Declaration |
| Environmental Disclosure | Product Environmental Profile |
| Circularity Profile | End Of Life Information |
| WEEE | The product must be disposed on European Union markets following specific waste collection and never end up in rubbish bins. |

Contractual warranty

| | |
|----------|-----------|
| Warranty | 18 months |
|----------|-----------|

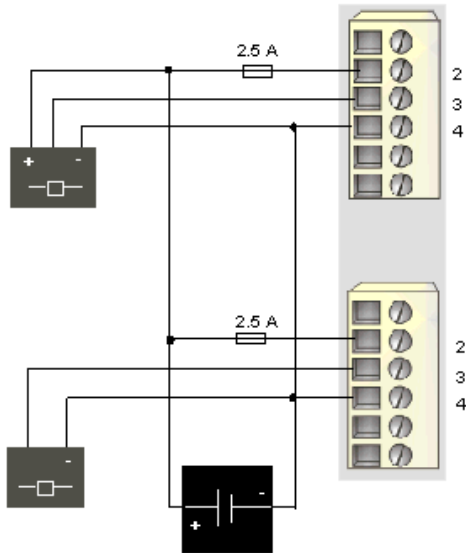
Dimensions



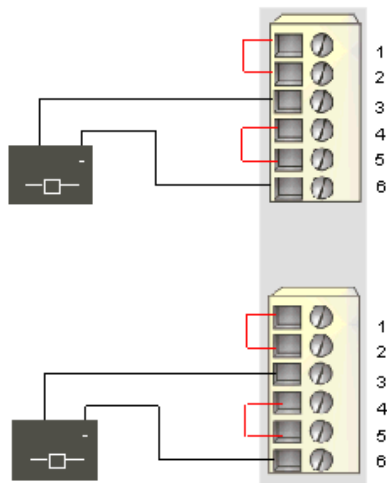
Wiring Diagrams

Examples

1 three-wire actuator and 1 two-wire actuator with external 24 VDC power supply



2 two-wire actuators powered via the PDM



| Pin | Top Connector | Bottom Connector |
|-----|------------------------------------|------------------------------------|
| 1 | +24 VDC actuator bus power | +24 VDC actuator bus power |
| 2 | independent power supply in | independent power supply in |
| 3 | output to actuator 1 | output to actuator 2 |
| 4 | independent power supply return | independent power supply return |
| 5 | field power return (to the module) | field power return (to the module) |
| 6 | field power return (to the module) | field power return (to the module) |

Product Life Status : **Commercialised**